

CURRENT 60 Ampere
 VOLTAGE RANG 40 to 200 Volts

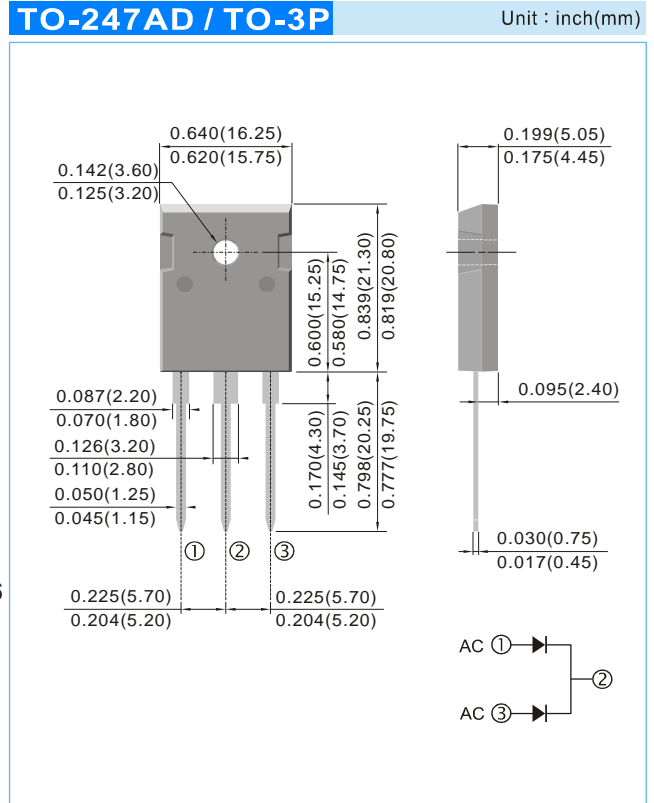
MBR6040PT THRU MBR60200PT

FEATURES

- Plastic package has Underwriters Laboratory Flammability Classification 94V-O. Flame Retardant Epoxy Molding Compound.
- Metal silicon junction, majority carrier conduction
- Low power loss, high efficiency.
- High current capability
- Guardring for overvoltage protection
- For use in low voltage,high frequency inverters free wheeling , and polarity protection applications.
- In compliance with EU RoHS 2002/95/EC directives

MECHANICAL DATA

- Case: TO-247AD / TO-247S/TO-3P molded plastic
- Terminals: solder plated, solderable per MIL-STD-750, Method 2026
- Polarity: As marked.
- Mounting Position: Any
- Weight: 0.2245 ounces, 6.3673 grams.



MAXIMUM RATINGS AND ELECTRICAL CHARACTERISTICS

Ratings at 25°C ambient temperature unless otherwise specified. Single phase, half wave, 60 Hz, resistive or inductive load.
 For capacitive load, derate current by 20%

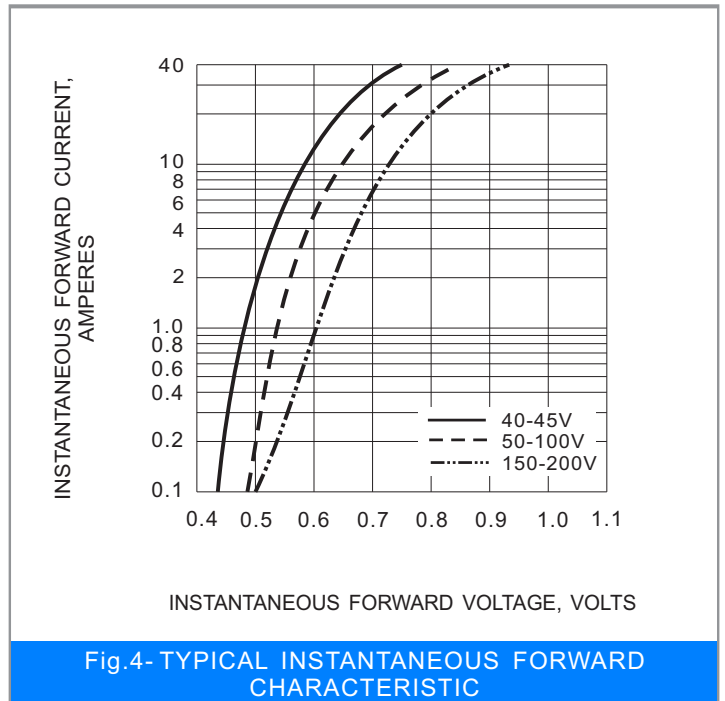
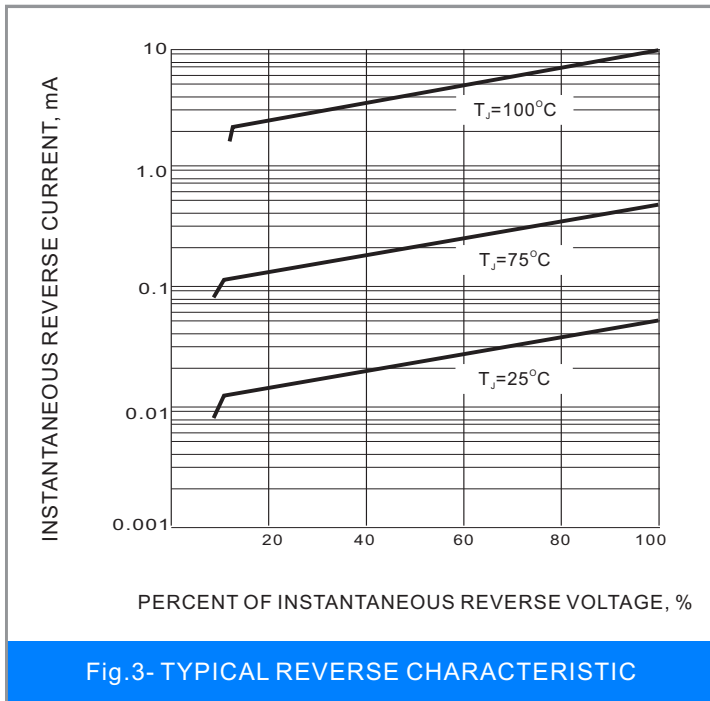
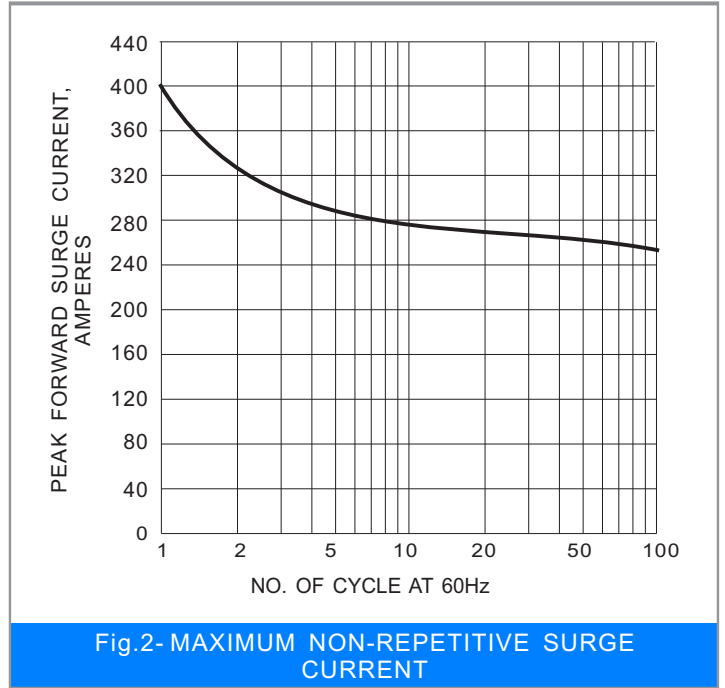
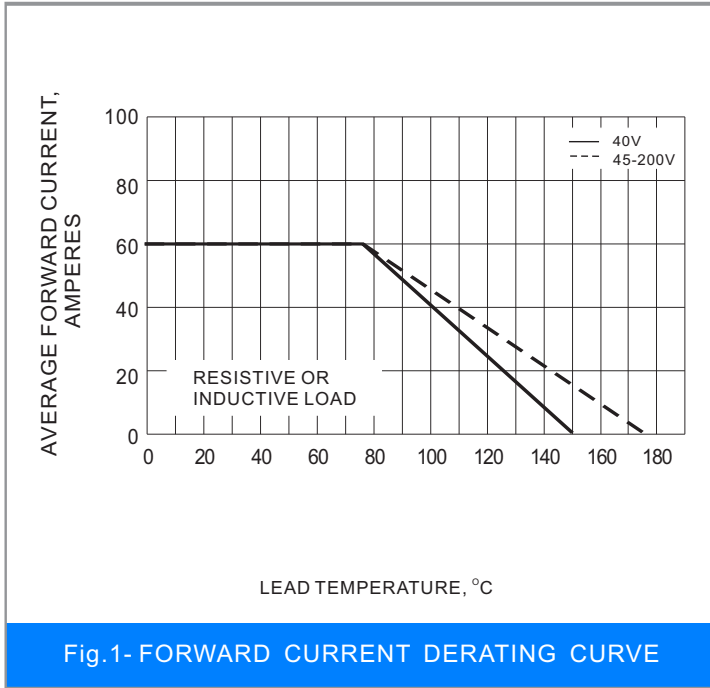
PARAMETER	SYMBOL	MBR60 40PT	MBR60 45PT	MBR60 50PT	MBR60 60PT	MBR60 80PT	MBR60 90PT	MBR60 100PT	MBR60 150PT	MBR60 200PT	UNITS
Maximum Recurrent Peak Reverse Voltage	V_{RRM}	40	45	50	60	80	90	100	150	200	V
Maximum RMS Voltage	V_{RMS}	28	31.5	35	42	56	63	70	105	140	V
Maximum DC Blocking Voltage	V_{DC}	40	45	50	60	80	90	100	150	140	V
Maximum Average Forward Current	$I_{F(AV)}$	60									A
Peak Forward Surge Current : 8.3ms single half sine-wave superimposed on rated load (JEDEC method)	I_{FSM}	400									A
Maximum Forward Voltage at 30A per leg	V_F	0.7		0.79			0.8		0.9		V
Maximum DC Reverse Current at Rated DC Blocking Voltage $T_J=25^{\circ}C$ $T_J=100^{\circ}C$	I_R	0.1					0.05				mA
		20					20				
Typical Thermal Resistance	$R_{\theta JC}$	1.5									°C / W
Operating Junction and Storage Temperature Range	T_J, T_{STG}	-55 to +150			-65 to +175						°C

Note :
 Both Bonding and Chip structure are available.

CURRENT 60 Ampere
 VOLTAGE RANG 40 to 200 Volts

MBR6040PT THRU MBR60200PT

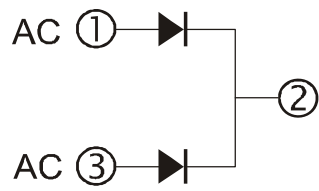
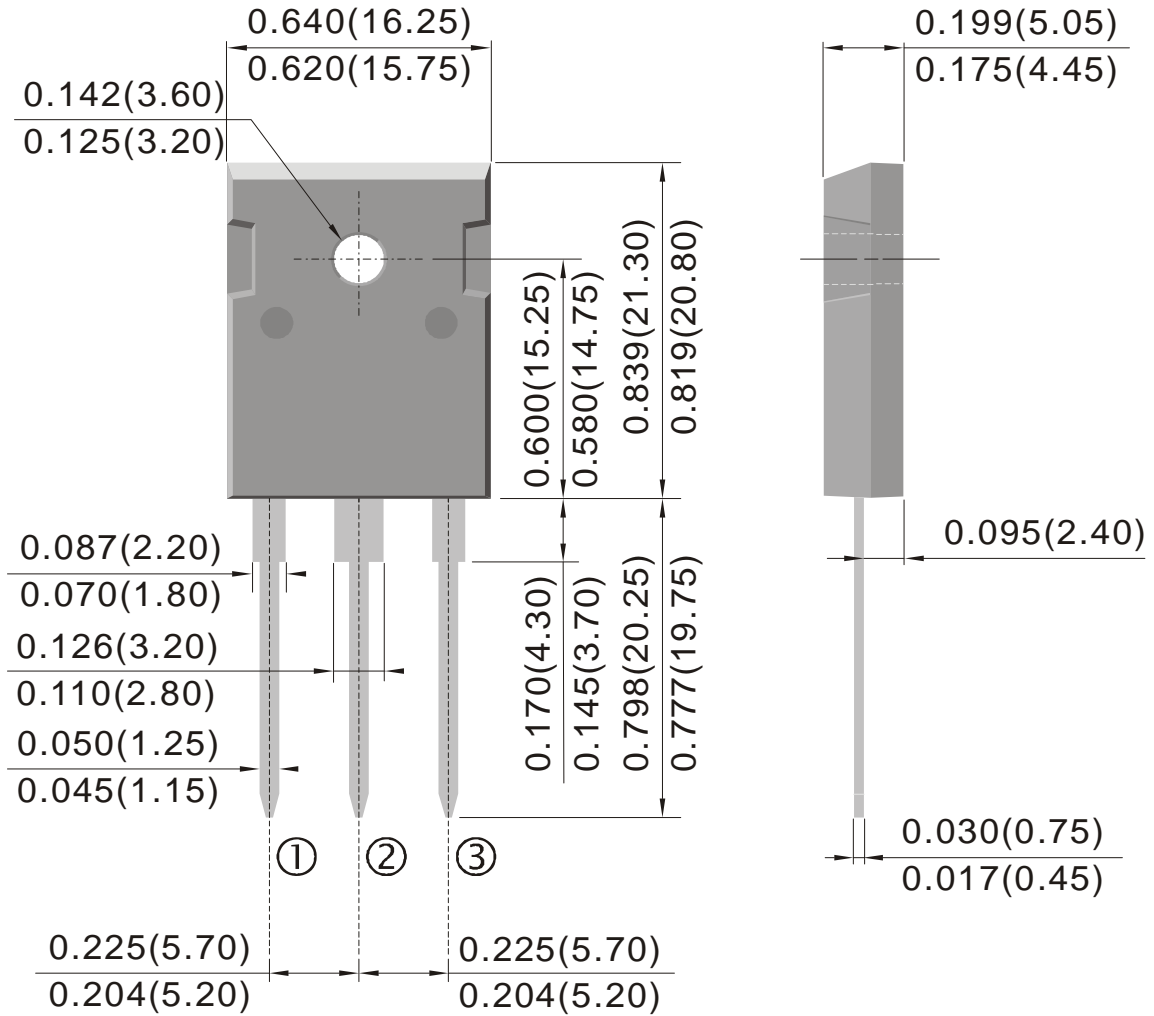
RATING AND CHARACTERISTIC CURVES



CURRENT 60 Ampere
 VOLTAGE RANG 40 to 200 Volts

MBR6040PT THRU MBR60200PT

T0-247AD

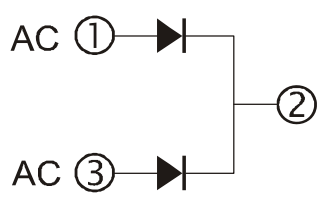


CURRENT 60 Ampere
 VOLTAGE RANG 40 to 200 Volts

MBR6040PT THRU MBR60200PT

T0-247S

Ref.	Dimensions					
	Millimeters			Inches		
	Min.	Typ.	Max.	Min.	Typ.	Max.
A	4.85		5.16	0.191		0.203
D	2.20		2.60	0.086		0.102
E	0.40		0.80	0.015		0.031
F	1.00		1.40	0.039		0.055
F1		3.00			0.118	
F2		2.00			0.079	
F3	1.90		2.40	0.075		0.094
F4	3.00		3.40	0.118		0.134
G		10.90			0.429	
H	15.45		16.03	0.608		0.631
L	19.85		21.09	0.781		0.830
L1	3.70		4.30	0.146		0.169
L2	18.30		19.13	0.720		0.753
L3	14.20		20.30	0.559		0.799
L4	34.05		41.38	1.341		1.629
L5	5.35		6.30	0.211		0.248
M	2.00		3.00	0.079		0.118
V		5°			5°	
V2		60°			60°	
Dia.	3.55		3.65	0.140		0.144



CURRENT 60 Ampere
 VOLTAGE RANG 40 to 200 Volts

MBR6040PT THRU MBR60200PT

TO-3P

