

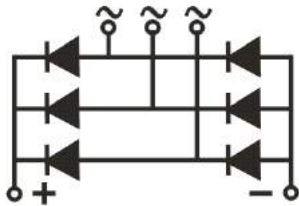
CURRENT 150~200 Ampere  
 VOLTAGE RANG 600 to 1800 Volts

## MDS150-16 THRU MDS200-16



### Applications

- Three phase rectifiers for power supplies
- Rectifiers for DC motor field supplies
- Battery charger rectifiers
- Input rectifiers for variable frequency drives



### Features

- Three phase bridge rectifier
- Blocking voltage:800 to 1800V

### Module Type

TYPE	VRRM	VRSM
MDS200-08	800V	900V
MDS200-12	1200V	1300V
MDS200-16	1600V	1700V
MDS200-18	1800V	1900V

### Maximum Ratings

Symbol	Conditions	Values	Units
$I_D$	$T_c=85$	150/175/200	A
$I_{FSM}$	$T_{vj}=45$ t=10ms (50HZ), sine	2000	A
$i^2t$	$T_{vj}=45$ t=10ms (50HZ), sine	9000	$A^2S$
Viso	a.c.50HZ;r.m.s.;1 min	2500	V
$T_{vj}$		-40 to 150	
$T_{stg}$		-40 to 125	
Weight	Module (Approximately)		g

### Thermal Characteristics

Symbol	Conditions	Values	Units
$R_{th(j-c)}$	Per module	0.16	/W

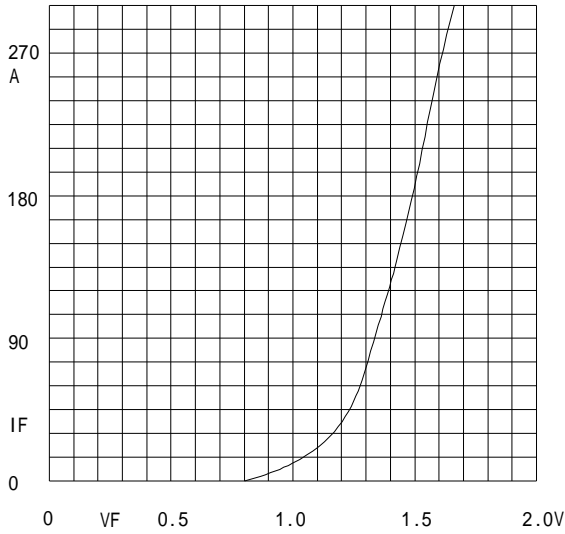
### Electrical Characteristics

Symbol	Conditions	Values	Units
VFM	$T=25$ IFM=200A	1.50	V
IRD	$T_{vj}=25$ VRD=VRRM	$\leq 0.5$	mA
	$T_{vj}=150$ VRD=VRRM	$\leq 5$	mA

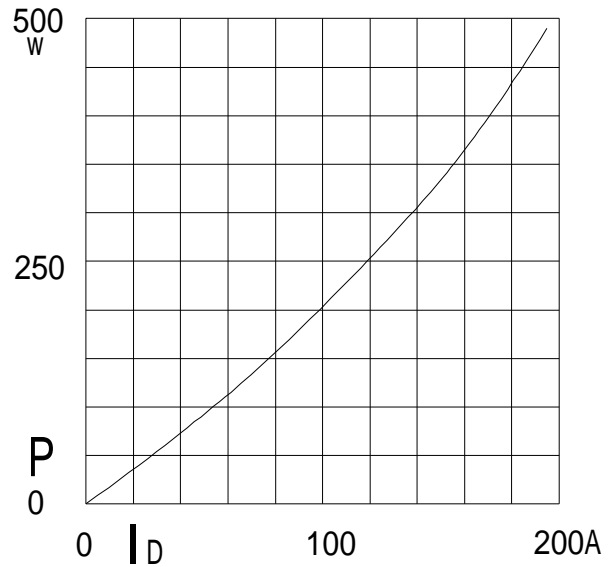
CURRENT 150~200 Ampere  
 VOLTAGE RANG 600 to 1800 Volts

## MDS150-16 THRU MDS200-16

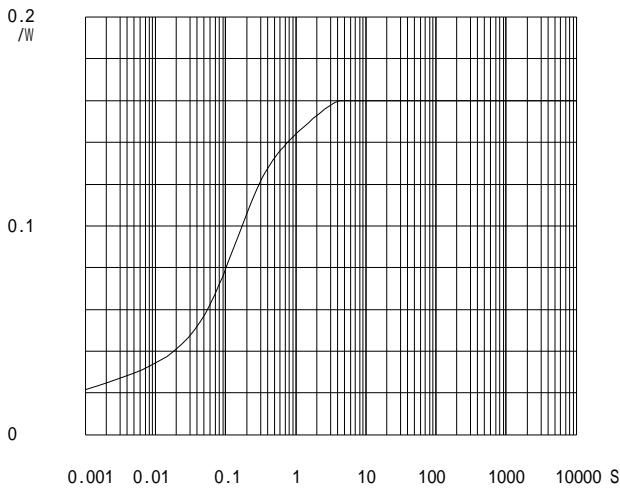
### RATING AND CHARACTERISTIC CURVES MDS150-16 Thru MDS200-16



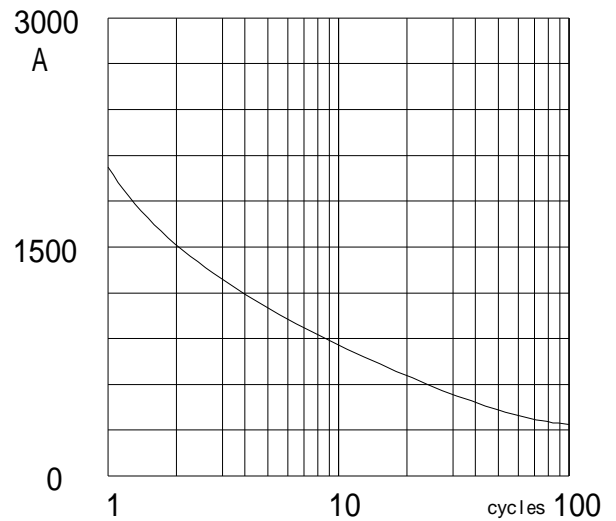
Forward Characteristics



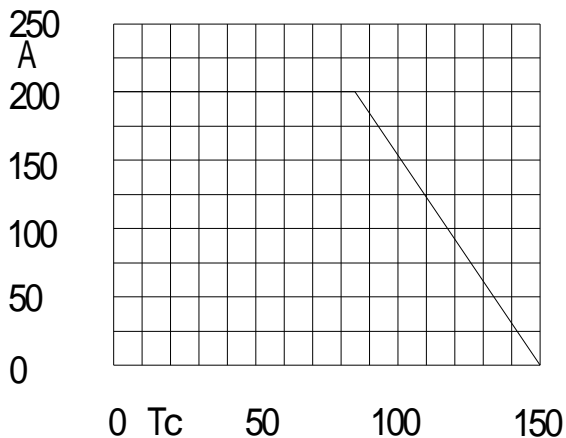
Power dissipation



Transient thermal impedance



Max Non-Repetitive Forward Surge Current



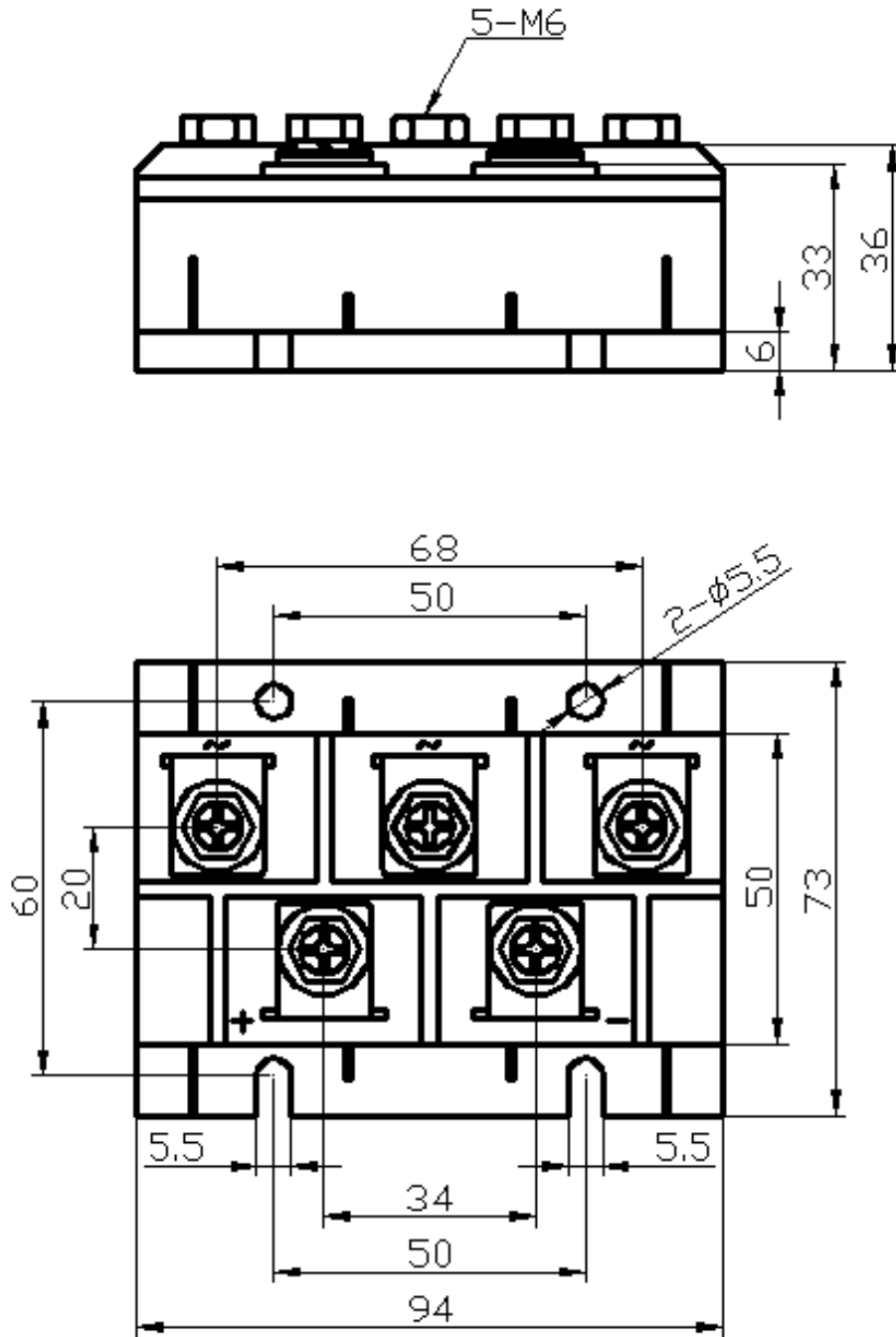
Forward Current Derating Curve

CURRENT 150~200 Ampere  
 VOLTAGE RANG 600 to 1800 Volts

**MDS150-16 THRU MDS200-16**

**Package Outline Information**

CASE: M22

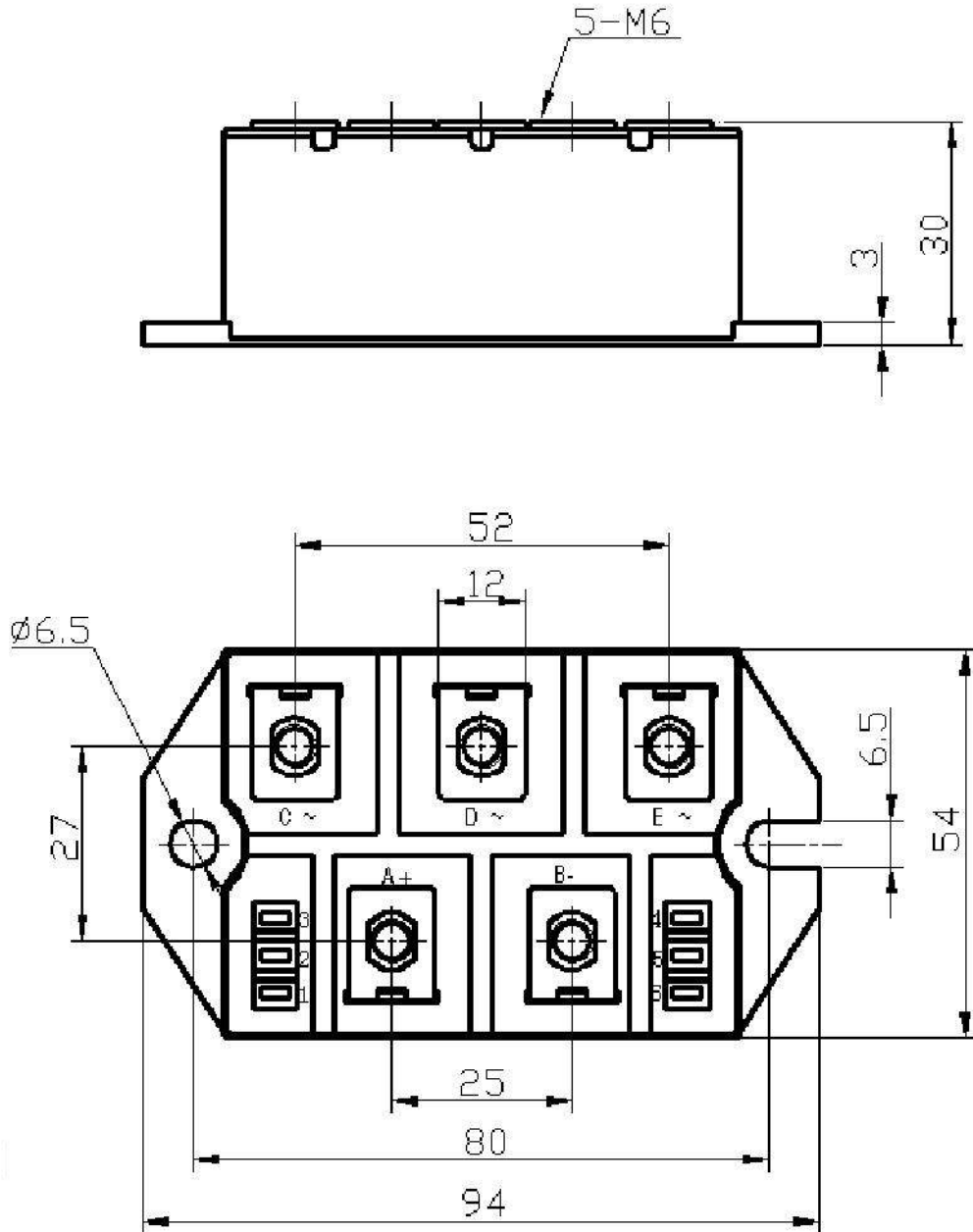


CURRENT 150~200 Ampere  
VOLTAGE RANG 600 to 1800 Volts

## MDS150-16 THRU MDS200-16

### Package Outline Information

CASE: M23



Dimensions in millimeters

CURRENT 150~200 Ampere  
VOLTAGE RANG 600 to 1800 Volts

## MDS150-16 THRU MDS200-16

### Package Outline Information

CASE: M60

