

CURRENT 5.0 Ampere
 VOLTAGE RANG 50 to 1000 Volts

RS5ABF THRU RS5MBF

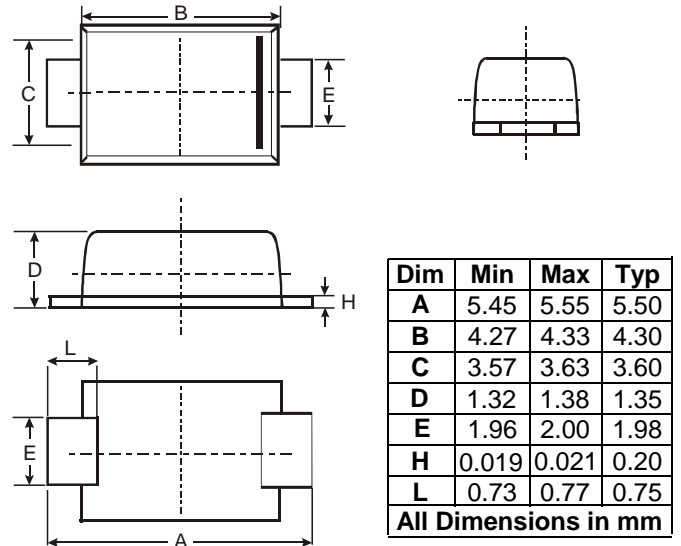
Features

- Glass Passivated Die Construction
- Fast Recovery Time for High Efficiency
- Low Forward Voltage Drop and High Current Capability
- Ideally Suited for Automatic Assembly
- Plastic Material: UL Flammability Classification Rating 94V-0

Mechanical Data

- Case: SMBF, Molded Plastic
- Terminals: Solder Plated Terminal - Solderable per MIL-STD-202, Method 208
- Polarity: Cathode Band or Cathode Notch
- Marking: Type Number
- Weight: 0.09 grams (approx.)

SMBF



Maximum Ratings and Electrical Characteristics

@ T_A = 25°C unless otherwise specified

Single phase, half wave, 60Hz, resistive or inductive load. For capacitive load, derate current by 20%.

Characteristic	Symbol	RS5A	RS5B	RS5D	RS5G	RS5J	RS5K	RS5M	Unit
Maximum repetitive peak reverse voltage	V _{RRM}	50	100	200	400	600	800	1000	V
Maximum RMS voltage	V _{RMS}	35	70	140	280	420	560	700	V
Maximum DC blocking voltage	V _{DC}	50	100	200	400	600	800	1000	V
Maximum average forward rectified current at T _L =75°C	I _(AV)	5.0							A
Peak forward surge current 8.3ms single half sine-wave superimposed on rated load (JEDEC Method)	I _{FSM}	150.0							A
Maximum instantaneous forward voltage at 5.0A	V _F	1.3							V
Maximum DC reverse current T _A =25°C at rated DC blocking voltage T _A =100°C	I _R	5.0 100.0							μA
Maximum reverse recovery time (NOTE 1)	t _{rr}	150			250	500		ns	
Typical junction capacitance (NOTE 2)	C _J	78.0							pF
Typical thermal resistance (NOTE 3)	R _{θJA}	50.0							°C/W
Operating junction and storage temperature range	T _J , T _{STG}	-65 to +150							°C

Note: 1. Reverse recovery condition I_F=0.5A, I_R=1.0A, I_{rr}=0.25A

2. Measured at 1MHz and applied reverse voltage of 4.0V D.C.

3. P.C.B. mounted with 0.2x0.2" (5.0x5.0mm) copper pad areas

CURRENT 5.0 Ampere
 VOLTAGE RANG 50 to 1000 Volts

RS5ABF THRU RS5MBF

RATING AND CHARACTERISTIC CURVES RS5A Thru RS5M

