

CURRENT 2.0 Ampere
 VOLTAGE RANG 20 to 100 Volts

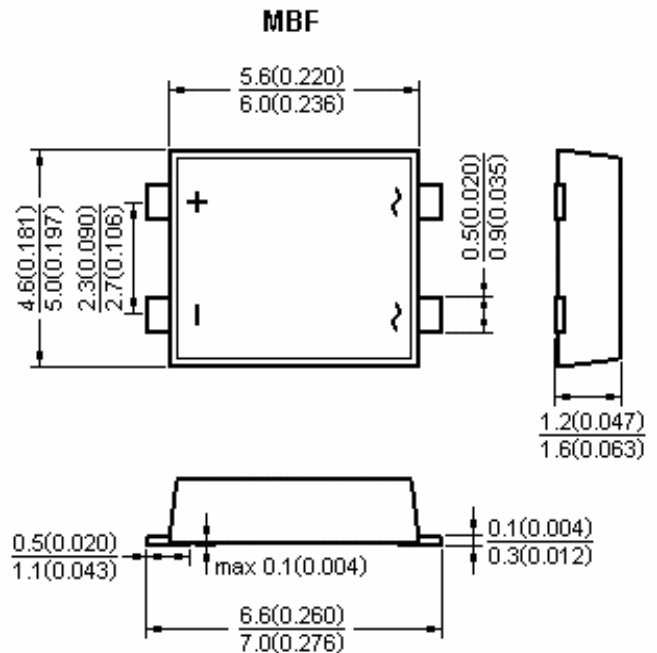
KMB22F THRU KMB210F

Features

- Low profile package
- Ideal for automated placement
- Ultrafast reverse recovery time
- Low power losses, high efficiency
- Low forward voltage drop
- High surge capability
- High temperature soldering:
260°C/10 seconds at terminals
- Component in accordance to
RoHS 2002/95/1 and WEEE 2002/96/EC

Mechanical Date

- Case:** MBF molded plastic body over Schottky barrier chips
- Terminals:** Solder plated, solderable per J-STD-002B and JESD22-B102D
- Polarity:** Polarity symbols marked on body



Dimensions in millimeters and (inches)

Maximum Ratings & Thermal Characteristics & Electrical Characteristics

($T_A = 25^\circ\text{C}$ unless otherwise noted)

	Symbol	KMB22F	KMB24F	KMB26F	KMB28F	KMB210F	UNIT
Maximum repetitive peak reverse voltage	V_{RRM}	20	40	60	80	100	V
Maximum RMS voltage	V_{RMS}	14	28	42	56	70	V
Maximum DC blocking voltage	V_{DC}	20	40	60	80	100	V
Maximum average forward rectified current 0.2×0.2"(5.0×5.0mm)copper pad area	$I_{F(AV)}$	2.0					A
Peak forward surge current 8.3 ms single half sine-wave superimposed on rated load	I_{FSM}	50					A
Maximum instantaneous forward voltage at 1.0A	V_F	0.50	0.55	0.70	0.85		V
Maximum DC reverse current $T_A = 25^\circ\text{C}$ at Rated DC blocking voltage $T_A = 100^\circ\text{C}$	I_R	0.5 20					mA
Typical Junction Capacitance at 4.0V, 1.0MHz	C_J	250			125		pF
Typical Thermal resistance (Note1)	$R_{\theta JA}$ $R_{\theta JL}$	85 20					$^\circ\text{C}/\text{W}$
Operating junction temperature range	T_J	-55 to +125					$^\circ\text{C}$
Storage temperature range	T_{STG}	- 55 to +150					$^\circ\text{C}$

Note: 1. Thermal resistance from junction to ambient and from junction to lead P.C.B. mounted on 0.2×0.2"(5.0×5.0mm)copper pad areas.

CURRENT 2.0 Ampere
 VOLTAGE RANG 20 to 100 Volts

KMB22F THRU KMB210F

Rating and Characteristic Curves (TA=25°C Unless otherwise noted)

Fig.1 Forward Current Derating Curve

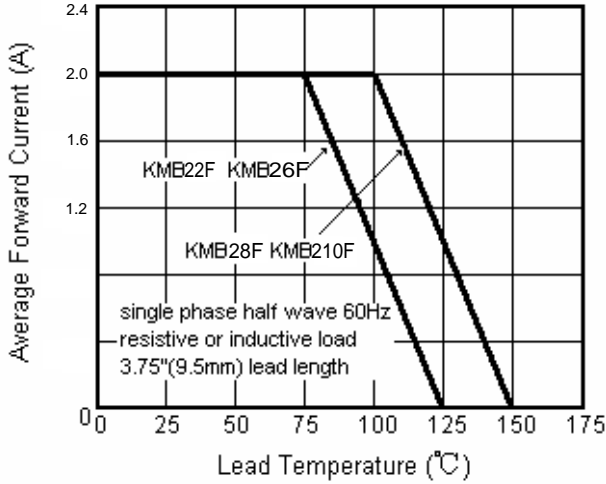


Fig.2 Maximum Non-Repetitive Peak Forward Surge Current

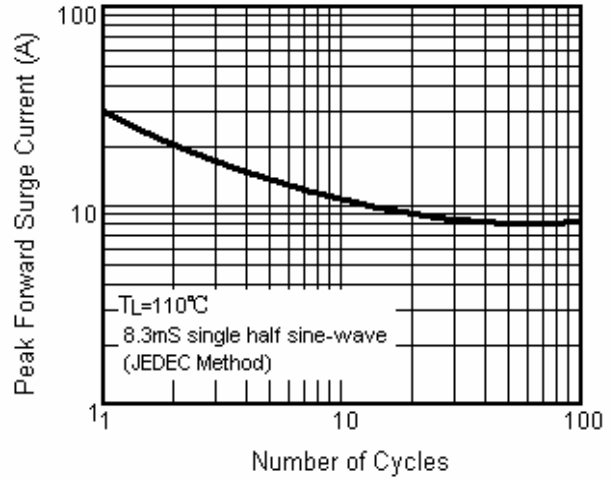


Fig.3 Typical Instantaneous Forward Characteristics

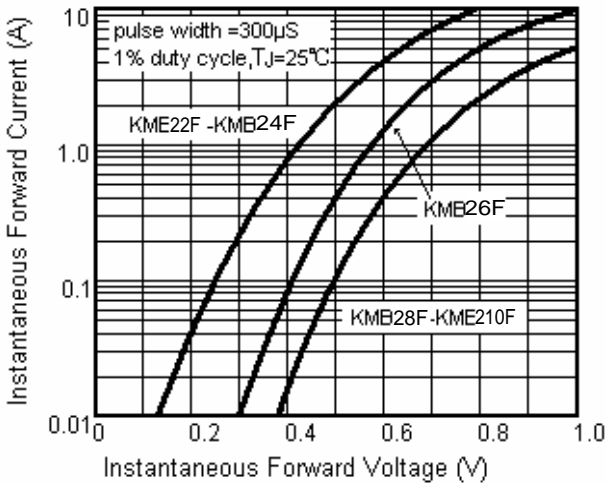


Fig.4A Typical Reverse Characteristics

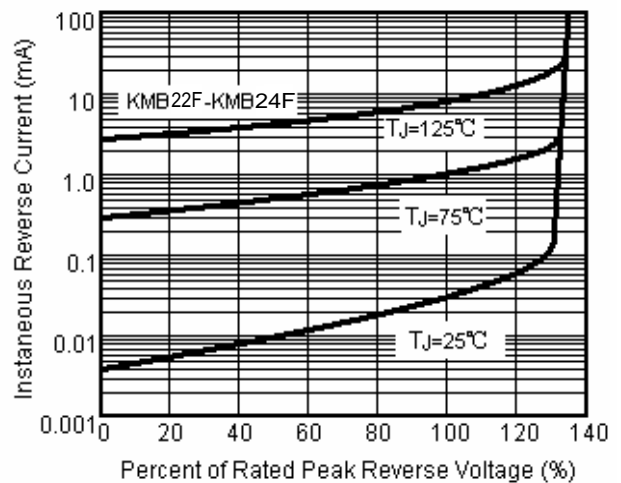


Fig.5 Typical Junction Capacitance

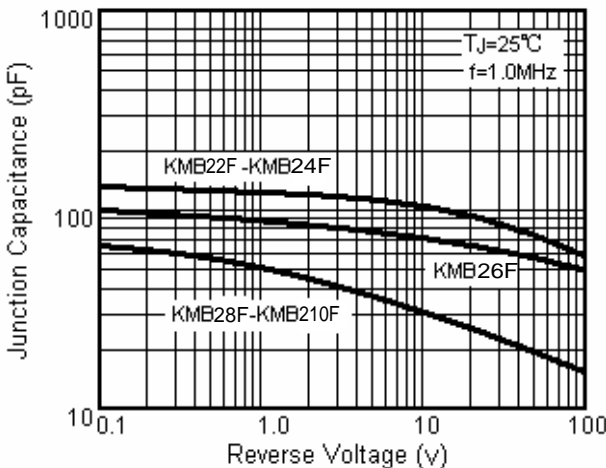
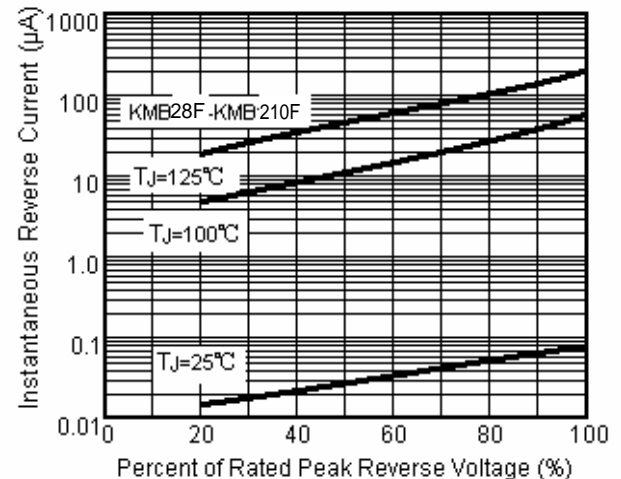


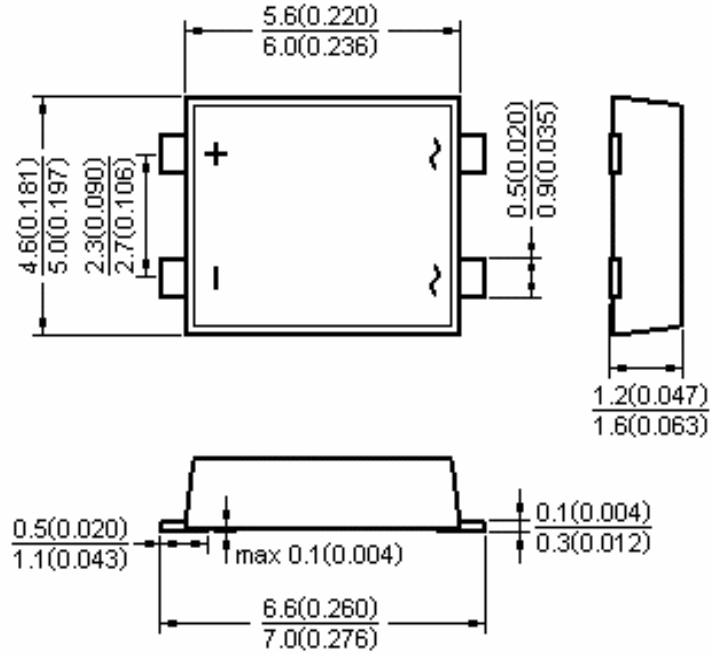
Fig.4B Typical Reverse Characteristics



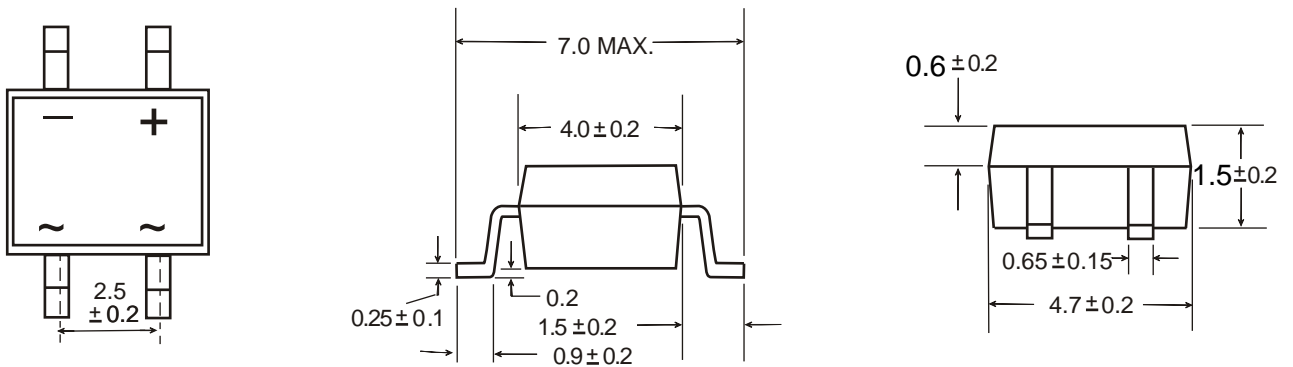
CURRENT 2.0 Ampere
 VOLTAGE RANG 20 to 100 Volts

KMB22F THRU KMB210F

Usbam mould



The body mold



Dimensions in millimeters(1mm =0.0394")